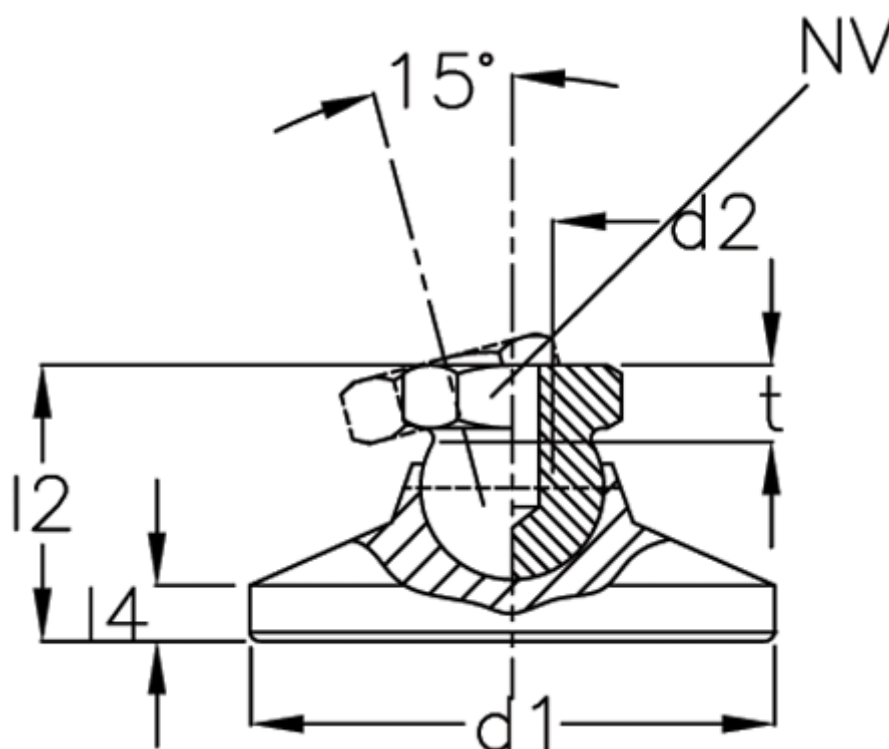


Data Sheet



Article number: 20343125M6KSE
Description: E+G levelling foot
GN 343.1-25-M6-KSE

Measures



| | |
|------------------|-------|
| d1 | = 25 |
| d2 | = 6 |
| l2 | = - |
| l4 | = - |
| NV | = 12 |
| Static load (kN) | = 7.5 |
| t min | = 9 |